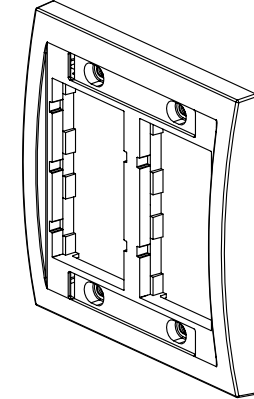
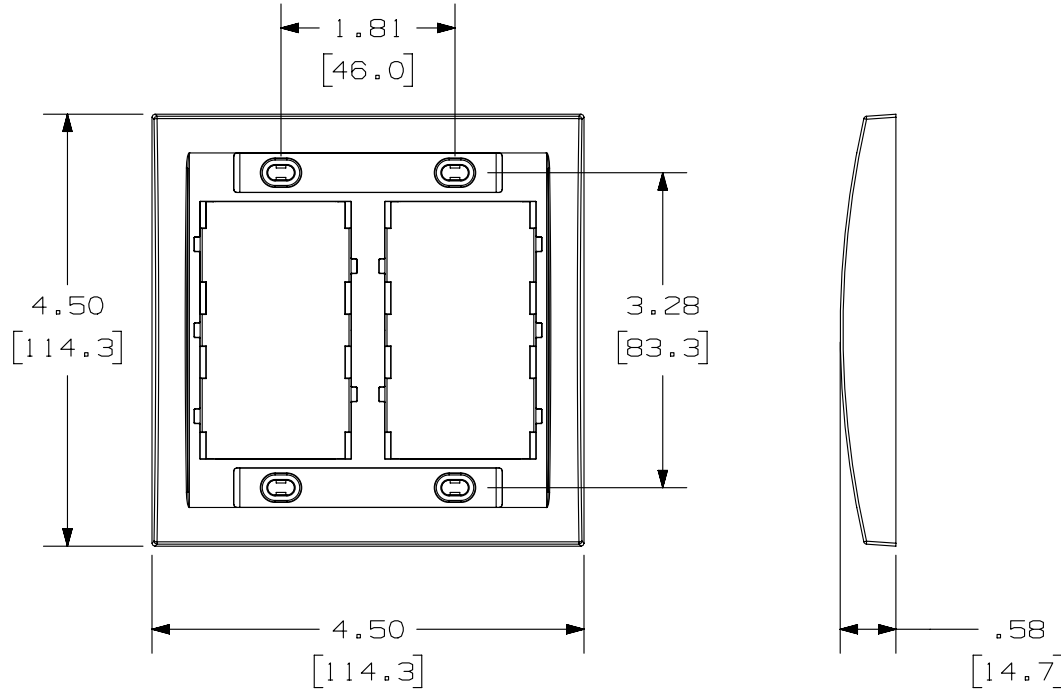


THIS COPY IS PROVIDED ON A RESTRICTED BASIS AND IS NOT TO BE USED IN ANY WAY DETRIMENTAL TO THE INTERESTS OF PANDUIT CORP.

PANDUIT P/N	WEIGHT
CBE**-2GY	.85 LB/10 PCS (385.6g/10 PCS)

NOTES:

- SEE CURRENT CATALOG FOR ADDITIONAL PART NUMBER SUFFIXES TO INDICATE COLOR AND OR PACKAGE QUANTITY.
- SEE CATALOG FOR COMPLETE LIST OF PARTS APPLICABLE FOR USE WITH THIS PART.
- DIMENSIONS IN [ ] ARE METRIC.
- PART INCLUDES:  
1- FACEPLATE FRAME  
4- #6-32 X 1" MOUNTING SCREW  
2- LABEL  
2- LABEL COVER



PART NUMBER		CBE**-2GY	
TITLE			
DOUBLE GANG EXECUTIVE FACEPLATE		FRAME	
CUSTOMER DRAWING			
ITEM REVISION NAME		M02479FB/05	
DATASET FILE NAME		M02479FB_DC134/00A	
UNLESS OTHERWISE SPECIFIED, DIMENSIONAL TOLERANCES ARE: IN [mm]		MATERIAL:	
.x ± .1 [2.54]		.xxx ± .005 [.127]	
.xx ± .01 [.25]		ANGLES ± 5°	
		DRAWING NUMBER: 02479-134	
DRAWN BY	DATE	CHK	SCALE
JSP	4-19-06	MJD	NONE
SHT 1 OF 1			SIZE A

REV	DATE	BY	CHK	APR	DESCRIPTION	ECN
1	3/7/14	JSP	REFR	MMR	A. REVISED DRAWING TITLE BLOCK.	02479-134
R	4-19-06	JSP	MJD	MJD	RELEASED TO PRODUCTION	02479-134

D10100DA/14